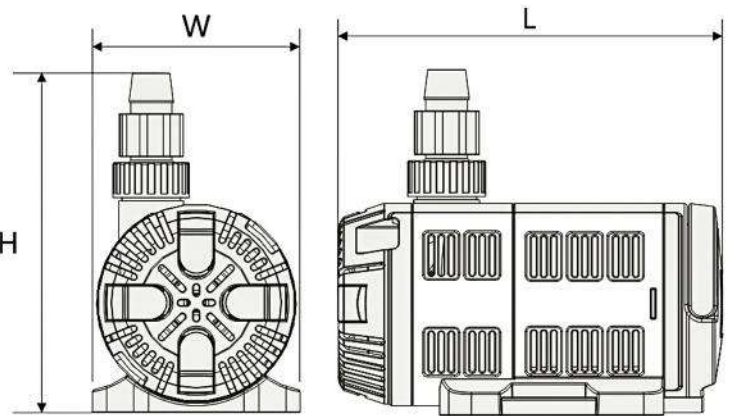
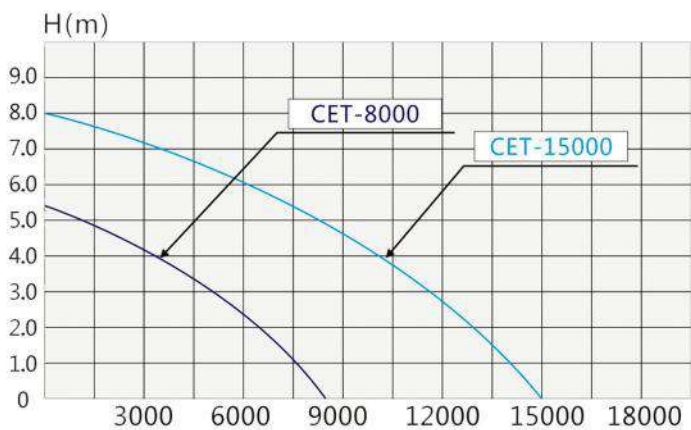


# FREQUENCY VARIATION PUMP



## FUNCTION CURVES



## FEATURES

Apply to small pool, aquarium tanks and fountain.

IPX8 protection grade.

Ultra compact, easy to restore.

Super silence.

Electronic frequency conversion technology, energy saving up to 60% than before.

High-strength ceramic shaft and wear, long service life.

Spiral propeller allows the dirt particle size as long as 6mm.

No copper element, cultivate salt-water organisms safely.

Model	Voltage	Frequency	Power	H-max	Output	Hose Adapter	Cable length	Weight
CET-8000	110V/220V/240V	50Hz-60Hz	18-80W	5.4m	8000L/H	20/25/32mm	2m/2m	3.0kg
CET-15000	110V/220V/240V	50Hz-60Hz	37-180W	7m	15000L/H	25/32/38mm	5m/2m	4.0kg
CET-26000	110V/220V/240V	50Hz-60Hz	60-440W	8.5m	26000L/H	32/38/50mm	10m/2m	10kg