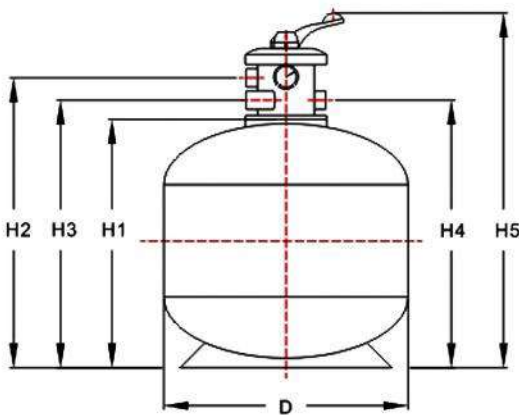


TOP-MOUNT SAND FILTER SERIES



FEATURES

Tank : voluble molding of fiber glass reinforced plastic, corrosion resistant, good abrasion resistance, deforming - proof. Uniquely designed distribution make a stable and even water flow to improve drainage system. Easy to install, maintain free Outlet turbidity



ITEM NUMBER	CODE	DIAMETE R D(mm)	Inch/ mm	Flow(m3 /h)	Filtration area(m3)	(H1) mm	(H2) mm	(H3) mm	(H4) mm	(H5) mm	(WS) kg	Package (mm) LxWxH	(NW) kg	(GW) kg
OXY-S 400	S-01	400	1.5"	8	0.13	425	539	475	475	680	35	420x420x480	7.3	9.8
OXY-S 450	S-02	450	1.5"	10	0.16	485	599	535	535	740	50	470x470x560	8.8	11.8
OXY-S 525	S-04	525	1.5"	12	0.19	610	724	660	660	865	65	550x550x650	11.8	15.8
OXY-S 600	S-06	600	1.5"	14	0.22	620	744	680	680	885	115	620x620x680	14.5	19
OXY-S 650	S-08	650	1.5"	17	0.32	695	809	745	745	950	145	680x680x740	17.7	23.2
OXY-S 700	S-09	700	1.5"	19	0.35	715	829	765	765	970	180	720x720x750	20	25.5
OXY-S 750	S-11	750	2.0"	21	0.4	765	903	829	829	1080	225	780x780x830	22.8	29.8
OXY-S 800	S-12	800	2.0"	24	0.5	815	953	879	879	1130	275	820x820x860	25.9	33.4
OXY-S 900	S-13	900	2.0"	30	0.64	900	1038	964	964	1215	390	920x920x950	32.7	42.2
OXY-S 1050	S-15	1050	2.0"	38	0.88	1065	1203	1129	1129	1380	615	1055x1055x1150	50.9	56.4
OXY-S 1200	S-17	1200	2.0"	42	1.13	1200	1338	1264	1264	1515	920	1215x1215x1280	57.6	63.2