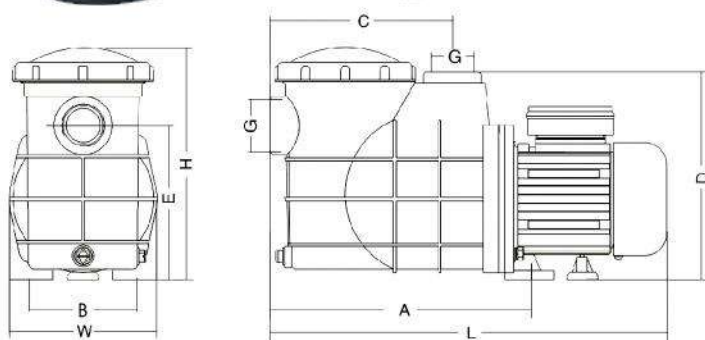


SELF CIRCULATION PUMPS



FEATURES

- Pump, flange, impeller use high quality plastic, two-phase, asynchronism motor, B level insulation IP X4 protection grade.
- With electric current overloaded protector. Low noise.
- Good sealing performance.
- Good appearance, easy to use and maintain.

APPLICATION

- Apply for small swimming pool, hydraulic massage bath, SPA, family swimming pool, and for restaurant sea food feeding

Model	Voltage	Frequency	Power	H-max	Output	Tube Diameter	Cable length	Weight	Dimension LxWxH
HZS-200	220V	50Hz	200W	5.5m	5m ³ /h	32/38mm	1.5m	5.0kg	455x133x245mm
HZS-250	220V	50Hz	250W	6.5m	7m ³ /h	32/38mm	1.5m	5.5kg	455x133x245mm
HZS-280	220V	50Hz	220W	8m	8m ³ /h	32mm	1.5m	5.5kg	360x170x200mm
HZS-300	220V	50Hz	300W	7m	8m ³ /h	32/38mm	1.5m	5.5kg	455x133x245mm
HZS-370	220V	50Hz	370W	11m	10m ³ /h	50mm	1.5m	9kg	485x185x280mm
HZS-550	220V/380V	50Hz	550W	10m	13m ³ /h	50mm	1.5m	9kg	494x165x259mm
HZS-750	220V/380V	50Hz	750W	11m	14.5m ³ /h	50mm	1.5m	9.5kg	494x165x259mm
HZS-180	220V	50Hz	180W	5m	8m ³ /h	50mm	1.5m	4.0kg	355x240x154mm
HZS-250	220V	50Hz	250W	6.5m	10m ³ /h	50mm	1.5m	5.0kg	355x240x154mm